



EHPS System

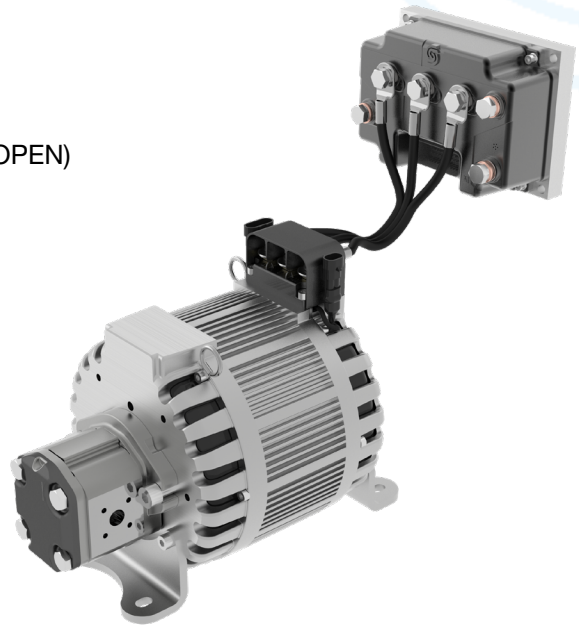
Electro Hydraulic Assisted Power Steer

Features

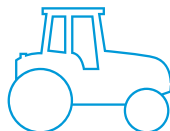
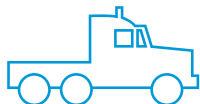
- Provide oil flow for assist steering applications by:
 - 16 l/min @ 0...150bar
 - 14 l/min @ 180 bar (peak)
- Powered by 24Vdc (48Vdc on request) battery (Board net)
- Communication with Vehicle Controller via CAN (J1939 & OPEN)
- Fault tolerant Fall-back operation mode at system failures
- Low noise pump technology ≤ 55 dba (1500rpm, 200bar)

Benefits

- Power is independent of engine speed
- Reduced installation costs vs. hydraulic piping
- Fast project turn-around
- Customized control features



Ideal for Bus, Heavy-Duty Trucks and Off-Highway Applications.

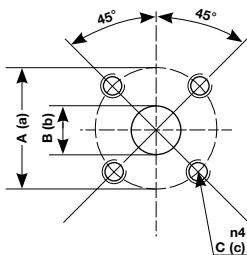


EHPS System **Electro Hydraulic Assisted Power Steer**

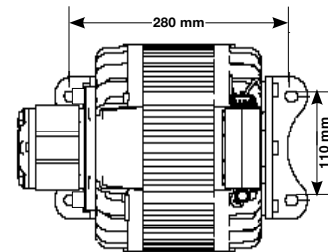
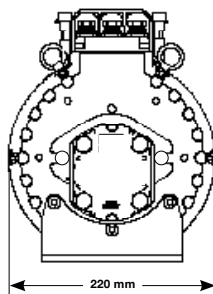
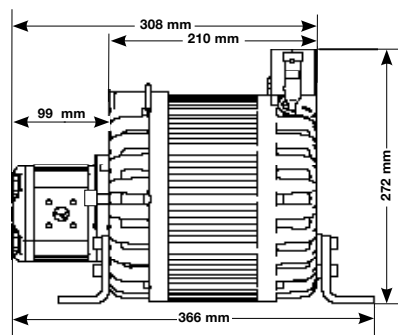
Our EHPS system combines an AC induction motor, a low noise gear pump and a Schwarzmüller Inverter. This robust, reliable and safe system provides oil flow for assisted steering applications allowing a 30-50% energy saving by “power on demand” for a fast project turn-around and an adjustable steering performance. It is perfectly adapted for any bus applications while allowing a more modular design.

SYSTEM	
System weight	31 kg
INDUCTION MOTOR - MT1946B	
Power	2,9 kW (S3-50%)
Voltage	15,7 Vac
Current	182 A
Protection Degree	IP 55
Sensors	Speed: 64 inc/rev, 5...24V A/B channel Temp: KTY 84-130
LOW NOISE GEAR PUMP	
Displacement	8,2 ccm
Certification	ISO-TS
Ports inlet	A:40mm B:15mm C:M6
Ports outlet	a:35mm b:15mm c:M6

Pump Port



Motor and Gear Pump



Inverter and Software Features

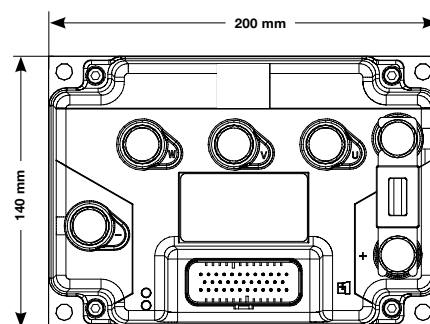
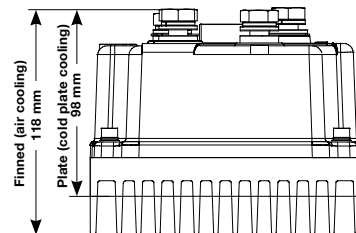
- Ready to use EHPS-Application-SW (reduced performance mode, CAN interface, Encoder fault tolerant mode, service page, error history...)
- Advanced Flux Vector motor Control performance
- Designed for superior reliability and long life

Inverter Standards

- Automotive grade components (AEC-Q100, -Q101, -Q200)
- Enhanced EMC Performance / E-Marked (ECE-R10)
- UL 583 Listed

SCHWARZMÜLLER INVERTER MI06-S-24/400-P-A	
Voltage	16...36Vdc
Current	200A (S1), 400A (S2-2min)
Protection Degree	IP 67

Inverter - Two Versions Available



Dana.com/TM4

Application Policy

Capacity ratings, features, and specifications vary depending upon the model and type of service. Application approvals must be obtained from Dana TM4; contact your representative for application approval. We reserve the right to change or modify our product specifications, configurations, or dimensions at any time without notice.

