

ePTO System

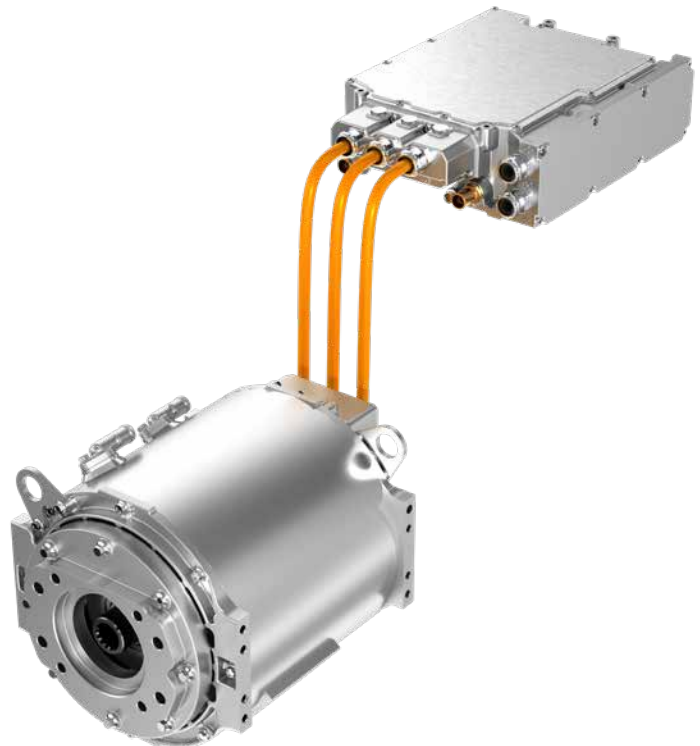
TM4 SUMO™ LD HV1200 Motor / Inverter

Features

- Peak power: 215 kW at 800V
- Peak torque: Up to 1,200 Nm
- Max operating speed: 4,500 RPM
- Designed for pump connection, but capable of also covering traction applications

Benefits

- High torque / low speed internal permanent magnet motor and inverter combinations
- Available with standard pump connections:
 - SAE C (J744 - 14T 12/24 - 2 or 4 holes)
 - DIN 5462 (ISO 7653 8-32-36)



SUMO LD Range is Ideal for Light Commercial Vehicles, Mini Buses, Medium-Duty Trucks, Medium Buses, in e-Axles for Heavy-Duty Trucks and Off-Highway Equipment.



ePTO System

TM4 SUMO™ LD Motor / Inverter

The ePTO SUMO LD HV1200 is designed to interface directly with hydraulic pumps with SAE C or DIN 5462 (8-32-36) connection. It makes this series perfect for heavy auxiliary applications in Commercial Vehicles and Off-Highway machines.

Motor Features

- 3-phase permanent magnet motor
- High torque and power density
- Low electro-magnetic audible noise
- Low-cogging and ripple torque for better NVH
- Thermal protection
- Weight: 86 kg

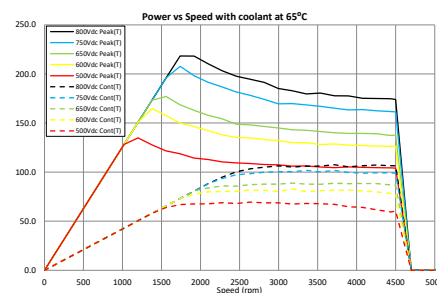
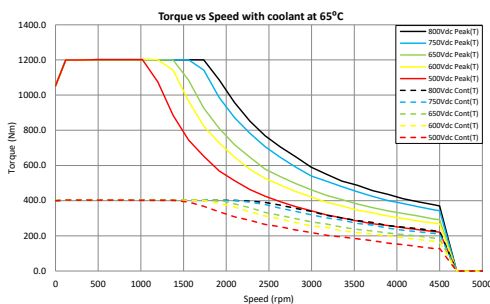
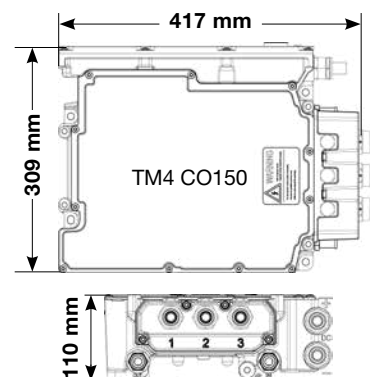
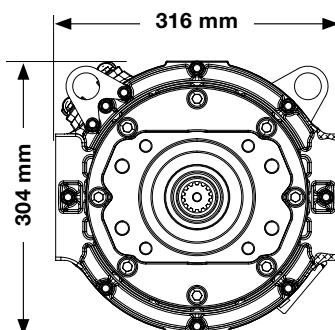
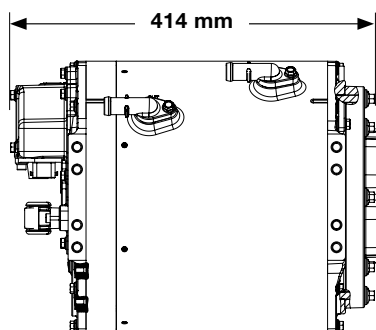
Standards

- Operating voltage: 300-800 Vdc
- System protection: IP 6K9K
- Shock and vibration standards: GMW3172 Sprung masses
- Max. coolant inlet temperature: 65°C
- Coolant type: 40/60 water-glycol
- Toxic materials and flammability: ROHS, ELV, UL94-V0
- External corrosion resistance: Salt mist, chemical products

Inverter Features

- 3-phase high-voltage inverter
- Variable switching frequency
- Reflex™ gate driver technology for high power and current densities
- EMI filter
- Best-in-class power density
- Weight: 11.5 kg

System	Peak Power	Continuous Power	Peak Torque	Continuous Torque	Max Operating Speed
TM4 SUMO LD HV1200	215 kW	100 kW	1,200 Nm	400 Nm	4,500 RPM



Dana.com/TM4

This material and its contents / statements are for general informational purposes only. All information is provided in good faith; however we make no representation or warranty of any kind, express or implied, including without limitation accuracy, adequacy, completeness or fitness for a particular purpose of such information.

Application Policy

Capacity ratings, features, and specifications vary depending upon the model and type of service. Application approvals must be obtained from Dana TM4; contact your representative for application approval. We reserve the right to change or modify our product specifications, configurations, or dimensions at any time without notice.

