



# TM4

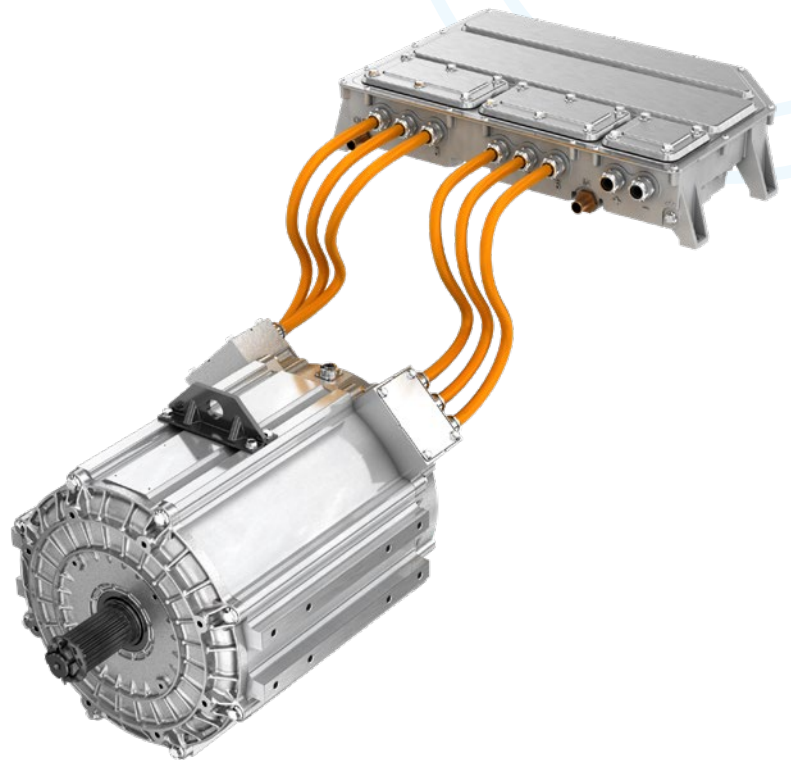
## TM4<sup>®</sup> SUMO<sup>™</sup> MD Motor / Inverter System

### Features

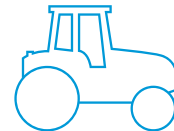
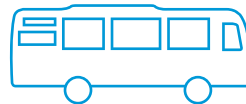
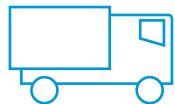
- Peak power: Up to 265 kW
- Peak torque: Up to 3,255Nm
- Max operating speed: 3,700 RPM

### Benefits

- High torque/low speed permanent magnet motor and inverter combinations
- Designed to interface with standard differentials and/or gearboxes and/or e-axles
- Seamless integration into Dana products



Ideal for Class 2 to 6 Commercial Vehicles, Light to Medium Bus Platforms and Off-Highway Applications.

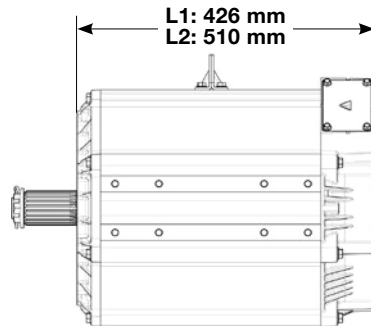


# TM4<sup>®</sup> SUMO<sup>™</sup> MD Motor / Inverter System

The TM4 SUMO MD systems are designed to interface directly with standard rear differentials and/or gearboxes and/or e-Axles. It makes this series perfect for class 2 to 6 commercial vehicles and light to medium bus platforms.

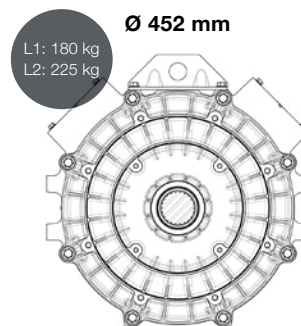
## Motor Features

- Proven permanent magnet technology for optimal efficiency
- Outer rotor topology for maximum torque density
- Low electro-magnetic audible noise
- Low-cogging and ripple torque for better NVH
- Four-quadrant operation
- Double-ended shaft option
- Thermal protection



## Inverter Features

- 3-phase or 6-phase high voltage inverter
- Variable switching frequency
- Reflex<sup>TM</sup> gate driver technology for high power and current densities
- EMI Filter
- Best-in-class power density
- High efficiency

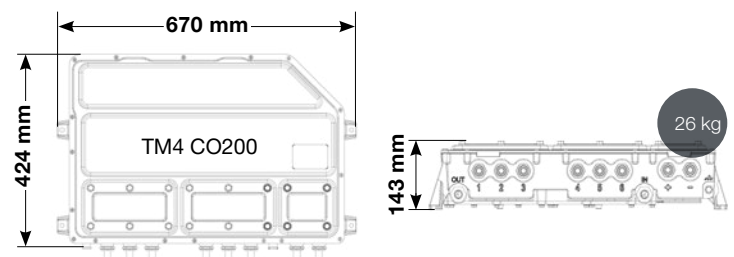
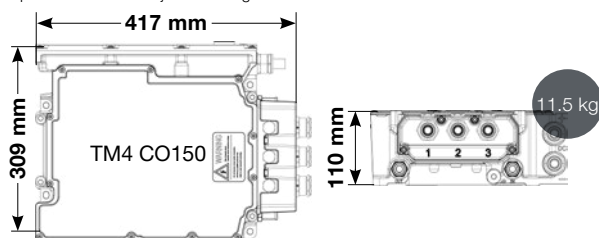


## Standards

- System protection: IP 6K9K
- Automotive components: AEC-Q100/AEC-Q101/AEC-Q200
- Electromagnetic compatibility EMC: Main automotive intl standards
- Shock and vibration standards: GMW3172 Sprung masses
- Max coolant inlet temperature: 65°C
- Coolant type: 40/60 water-glycol
- Toxic materials and flammability: ROHS, ELV, UL94-V0
- External corrosion resistance: Salt mist, chemical products

SYSTEM	Casing size	Phases	Peak power	Continuous power	Peak torque	Continuous torque	Max operating speed
SUMO MD HV1500-3P	L1	3	162 kW	100 kW	1590 Nm	680 Nm	3250 RPM
SUMO MD HV1800-3P	L1	3	170 kW	100 kW	1775 Nm	680 Nm	3250 RPM
SUMO MD HV2200-3P	L2	3	215 kW	145 kW	2430 Nm	1275 Nm	2700 RPM
SUMO MD MV2500-6P	L2	6	230 <sup>1</sup> kW	115 kW	2500 Nm	1140 Nm	3000 RPM
SUMO MD HV2100-6P	L1	6	250 kW	130 kW	2150 Nm	685 Nm	3500 RPM
SUMO MD HV3000-6P	L2	6	235 kW	145 kW	3100 Nm	1055 Nm	3000 RPM
SUMO MD HV2400-6P	L1	6	240 kW	120 kW	2300 Nm	605 Nm	3500 RPM
SUMO MD HV2200-6P	L2	6	255 kW	190 kW	2355 Nm	990 Nm	3700 RPM
SUMO MD HV2600-6P	L2	6	265 kW	155 kW	2760 Nm	970 Nm	3500 RPM

600 Vdc, 30 seconds, 45°C / 1350 Vdc, 30 seconds, 45°C  
Specifications are subject to change



TM4.com

### Application Policy

Capacity ratings, features, and specifications vary depending upon the model and type of service. Application approvals must be obtained from TM4; contact your representative for application approval. We reserve the right to change or modify our product specifications, configurations, or dimensions at any time without notice.

