

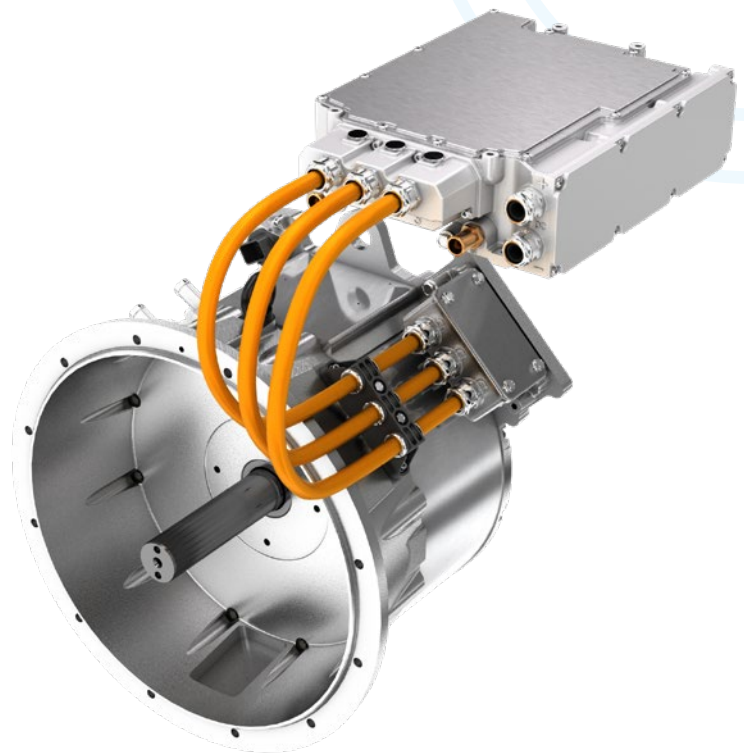
TM4[®] SUMO[™] HP Motor / Inverter System

Features

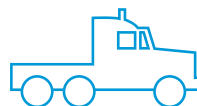
- Peak power: Up to 220 kW
- Peak torque: Up to 915 Nm
- Max operating speed: 2,800 RPM

Benefits

- High power permanent magnet motor/generator and inverter combinations
- Seamless integration into Dana's products
- Control algorithms optimized for parallel hybrid or generation applications.



Ideal for High-Power Applications.



TM4[®] SUMO[™] HP Motor / Inverter System

The TM4 SUMO HP consists of electric powertrains dedicated to high-power applications. The first motor/generator and inverter combination of this line, the TM4 SUMO HP HV900, was purposely developed for series and parallel hybrid configurations; it can be coupled to diesel engines, multi-speed gearboxes or integrated to axles for ultra-low floor buses.

Motor Features

- Proven permanent magnet technology for optimal efficiency
- Outer rotor topology for maximum torque density
- Low electro-magnetic audible noise
- Low-cogging and ripple torque for better NVH
- Four-quadrant operation
- Double-ended shaft option
- Thermal protection

Inverter Features

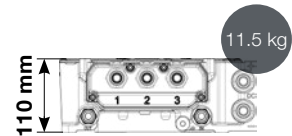
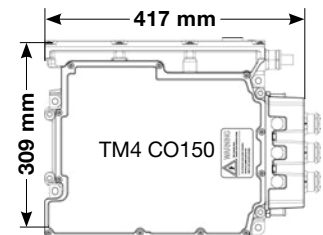
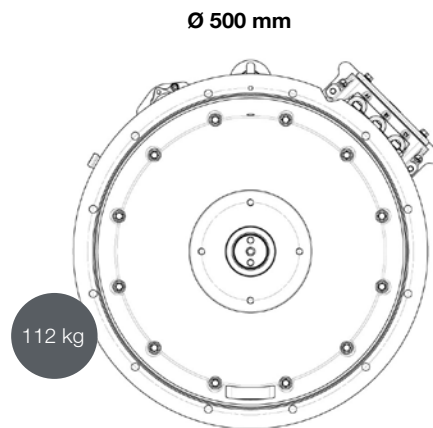
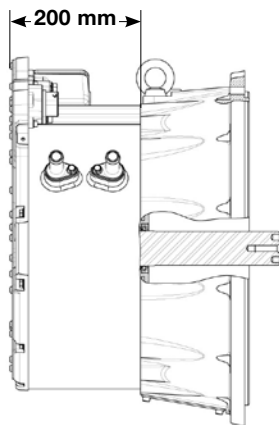
- 3-phase high voltage inverter
- Variable switching frequency
- Reflex[™] gate driver technology for high power and current densities
- EMI Filter
- Best-in-class power density
- High efficiency

Standards

- System protection: IP67/IP 6K9K
- Automotive components: AEC-Q100/AEC-Q101/AEC-Q200
- Electromagnetic compatibility EMC: Main automotive intl standards
- Shock and vibration standards: GMW3172 Sprung masses
- Max coolant inlet temperature: 65°C
- Coolant type: 40/60 water-glycol
- Toxic materials and flammability: ROHS, ELV, UL94-V0
- External corrosion resistance: Salt mist, chemical products

SYSTEM	Mode	Phases	Peak power	Continuous power	Peak torque	Continuous torque	Max operating speed
SUMO HP HV900-3P	Generator	3	220 kW	160 kW	915 Nm	624 Nm	2800 RPM
SUMO HP HV900-3P	Motor	3	205 kW	150 kW	965 Nm	745 Nm	4000 RPM

600 Vdc, 30 seconds, 45°C
Specifications are subject to change



TM4.com

Application Policy

Capacity ratings, features, and specifications vary depending upon the model and type of service. Application approvals must be obtained from TM4; contact your representative for application approval. We reserve the right to change or modify our product specifications, configurations, or dimensions at any time without notice.

2019 TM4 Inc. All rights reserved.

