



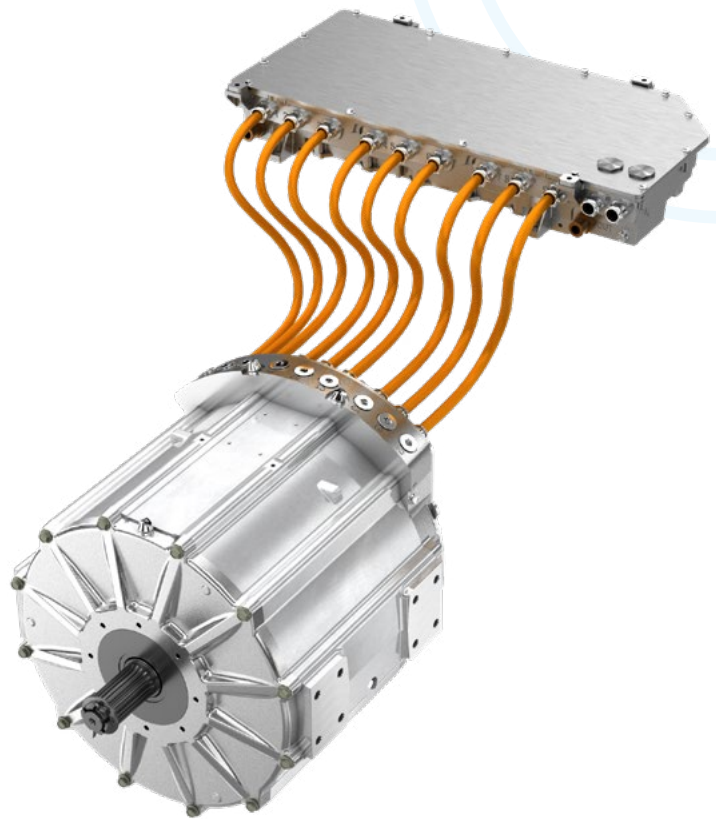
# TM4 SUMO™ HD Motor / Inverter System

## Features

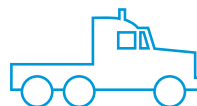
- Peak power: Up to 350 kW
- Peak torque: Up to 3,500 Nm
- Max operating speed: 3,400 RPM

## Benefits

- High torque/low speed permanent magnet motor and inverter combinations
- Designed to interface with standard differentials and/or gearboxes and/or e-axles
- Seamless integration into Dana's products



Ideal for Heavy-Duty Platforms, Commercial Vehicles and Off-Highway Applications.



# TM4 SUMO™ HD Motor / Inverter System

The TM4 SUMO HD systems are designed to interface directly with standard rear differentials and/or gearboxes and/or e-Axles. Its direct drive/gearless approach makes it the perfect match for any heavy-duty platforms and commercial vehicles applications.

## Motor Features

- Proven permanent magnet technology for optimal efficiency
- Outer rotor topology for maximum torque density
- Low electro-magnetic audible noise
- Low-cogging and ripple torque for better NVH
- Four-quadrant operation
- Double-ended shaft option
- Thermal protection

## Inverter Features

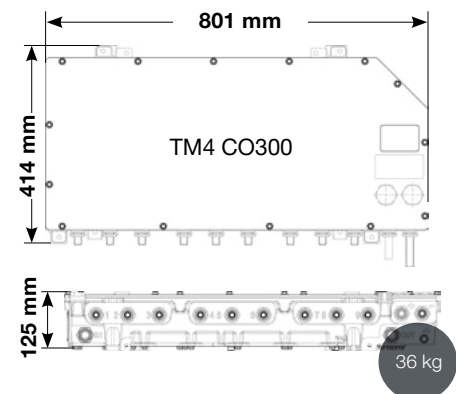
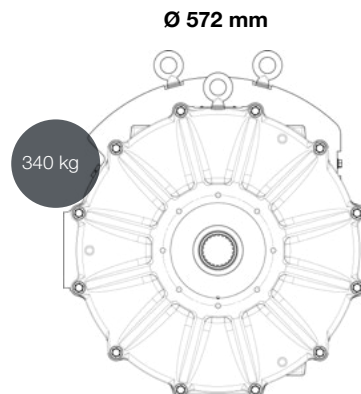
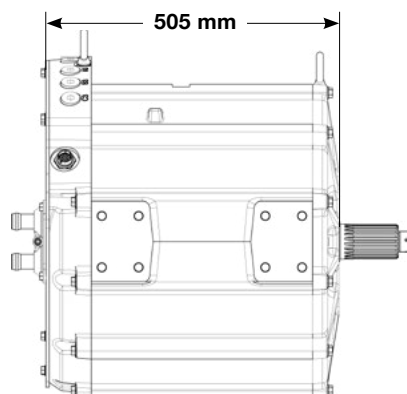
- 9-phase high voltage inverter
- Variable switching frequency
- Reflex™ gate driver technology for high power and current densities
- EMI Filter
- Best-in-class power density
- High efficiency

## Standards

- System protection: IP 6K9K
- Automotive components: AEC-Q100/AEC-Q101/AEC-Q200
- Electromagnetic compatibility EMC: Main automotive intl standards
- Shock and vibration standards: GMW3172 Sprung masses
- Max coolant inlet temperature: 65°C
- Coolant type: 40/60 water-glycol
- Toxic materials and flammability: ROHS, ELV, UL94-V0
- External corrosion resistance: Salt mist, chemical products

| SYSTEM            | Phases | Peak power | Continuous power | Peak torque | Continuous torque | Max operating speed |
|-------------------|--------|------------|------------------|-------------|-------------------|---------------------|
| SUMO HD HV2700-9P | 9      | 250 kW     | 195 kW           | 2700 Nm     | 2060 Nm           | 3375 RPM            |
| SUMO HD HV3400-9P | 9      | 250 kW     | 195 kW           | 3400 Nm     | 2060 Nm           | 2450 RPM            |
| SUMO HD HV3500-9P | 9      | 370 kW     | 260 kW           | 3445 Nm     | 1970 Nm           | 3400 RPM            |

600 Vdc, 30 seconds, 45°C  
Specifications are subject to change



## Dana.com/TM4

### Application Policy

Capacity ratings, features, and specifications vary depending upon the model and type of service. Application approvals must be obtained from Dana TM4; contact your representative for application approval. We reserve the right to change or modify our product specifications, configurations, or dimensions at any time without notice.

